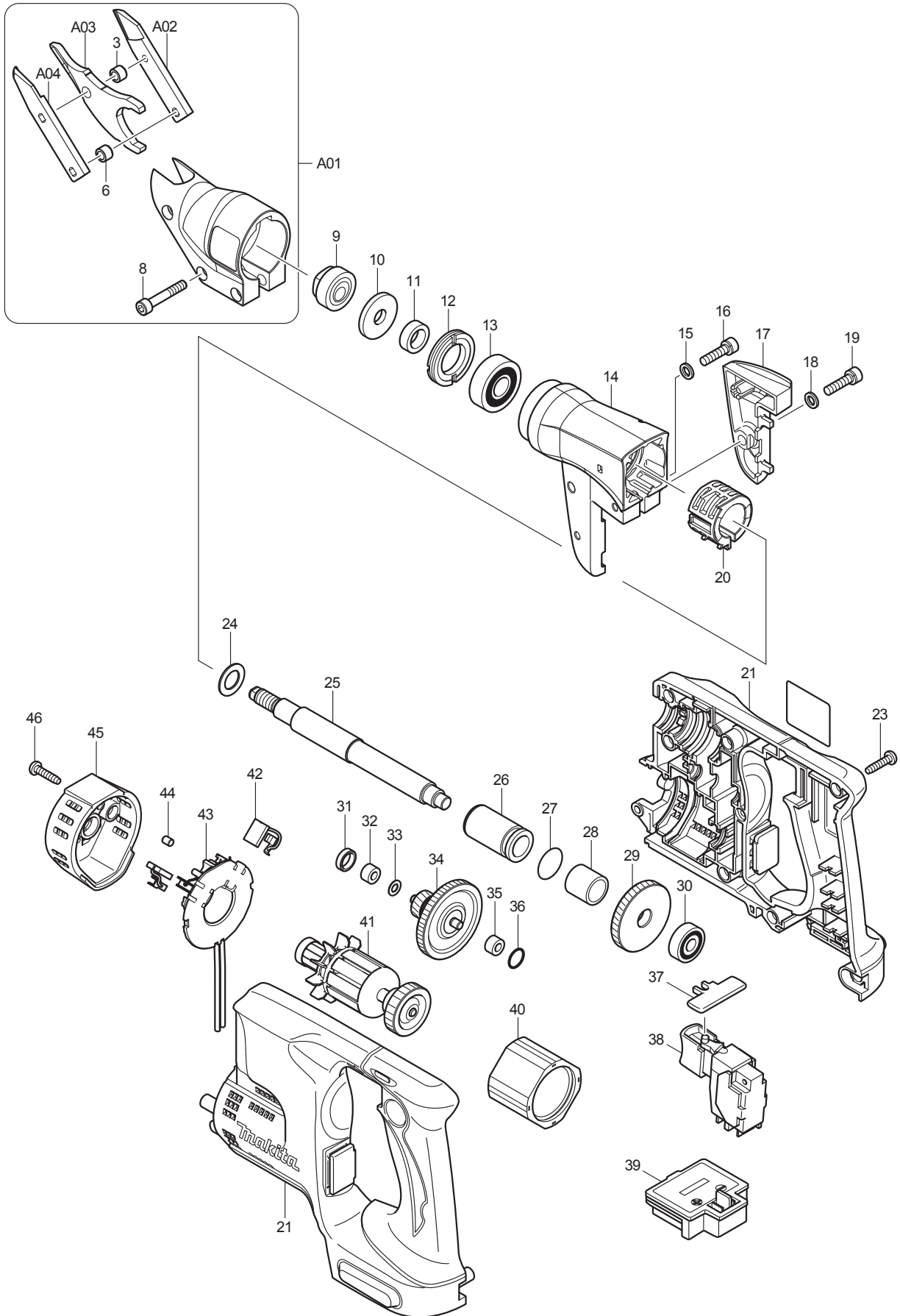




09 - 2011  
BJS130 / BJS130Z / BJS130F  
18V METAL SHEAR KIT



| Item No | Type | Ref  | Part No  | Description                             | Qty | Unit |
|---------|------|------|----------|---|-----|------|
| 3       |      |      | 257705-5 | SLEEVE 5                                | 1   | PC.  |
| 6       |      |      | 257705-5 | SLEEVE 5                                | 1   | PC.  |
| 8       |      |      | 266268-0 | HEX. SOCKET HEAD BOLT                   | 3   | PC.  |
| 9       |      |      | 125111-1 | BEARING ASS'Y                           | 1   | PC.  |
| 10      |      |      | 267223-5 | FLAT WASHER 10                          | 1   | PC.  |
| 11      |      |      | 257173-2 | RING 12                                 | 1   | PC.  |
| 12      |      |      | 285802-7 | BEARING RETAINER 19-33                  | 1   | PC.  |
| 13      |      |      | 211129-9 | BALL BEARING 6201DDW                    | 1   | PC.  |
| 14      |      |      | 158795-0 | BARREL COMPLETE                         | 1   | PC.  |
| 15      |      |      | 941102-2 | FLAT WASHER 5                           | 1   | PC.  |
| 16      |      |      | 922231-0 | HEX. SOCKET HEAD BOLT M5X20             | 1   | PC.  |
| 17      |      |      | 450757-7 | HOLDER                                  | 1   | PC.  |
| 18      |      |      | 941102-2 | FLAT WASHER 5                           | 1   | PC.  |
| 19      |      |      | 922231-0 | HEX. SOCKET HEAD BOLT M5X20             | 1   | PC.  |
| 20      |      |      | 450755-1 | CLAMPER                                 | 1   | PC.  |
| 21      | 1    |      | 188540-9 | * HOUSING SET                           | 1   | SET  |
|         | 2    |      | 187480-8 | * HOUSING SET                           | 1   | SET  |
| 23      |      |      | 265995-6 | TAPPING SCREW 4X18                      | 9   | PC.  |
| 24      |      |      | 253744-3 | FLAT WASHER 12                          | 1   | PC.  |
| 25      |      |      | 324937-0 | SPINDLE                                 | 1   | PC.  |
| 26      |      |      | 214174-3 | PLANE BEARING 14                        | 1   | PC.  |
| 27      |      |      | 213262-3 | O RING 18                               | 1   | PC.  |
| 28      |      |      | 257773-8 | SLEEVE 14                               | 1   | PC.  |
| 29      |      |      | 226686-4 | HELICAL GEAR 39                         | 1   | PC.  |
| 30      |      |      | 211034-0 | BALL BEARING 608                        | 1   | PC.  |
| 31      |      |      | 165115-1 | RUBBER SLEEVE 10                        | 1   | PC.  |
| 32      |      |      | 214017-9 | PLANE BEARING 5                         | 1   | PC.  |
| 33      |      |      | 253811-4 | FLAT WASHER 5                           | 1   | PC.  |
| 34      |      |      | 226154-7 | GEAR COMPLETE 11-44                     | 1   | PC.  |
| 35      |      |      | 214017-9 | PLANE BEARING 5                         | 1   | PC.  |
| 36      |      |      | 213055-8 | O RING 10                               | 1   | PC.  |
| 37      |      |      | 450756-9 | LOOK OFF LEVER                          | 1   | PC.  |
| 38      | 1    |      | 650575-5 | * SWITCH TG513SBA                       | 1   | PC.  |
|         | 2    |      | 650670-1 | * SWITCH(TRIGGER)TG513SBA-2             | 1   | PC.  |
| 39      | 1    |      | 643812-4 | * TERMINAL, BLACK                       | 1   | PC.  |
|         | 2    |      | 643843-3 | * TERMINAL, YELLOW                      | 1   | PC.  |
|         | 3    |      | 643860-3 | * TERMINAL                              | 1   | PC.  |
| 40      |      |      | 638426-2 | YOKE UNIT                               | 1   | PC.  |
| 41      |      |      | 619237-4 | ARMATURE                                | 1   | PC.  |
| 42      | 1    |      | 194427-5 | CARBON BRUSH CB-440 2PC/SET, W/O ORIGIN | 1   | SET  |
|         | 2    |      | 195021-6 | CARBON BRUSH CB-440 2PC/SET, W/ ORIGIN  | 1   | SET  |
| 43      |      |      | 638433-5 | BRUSH HOLDER COMPLETE                   | 1   | PC.  |
|         |      | INC. | 231696-8 | TORSION SPRING R                        | 1   | PC.  |
|         |      | INC. | 231697-6 | TORSION SPRING L                        | 1   | PC.  |
| 44      |      |      | 263032-0 | RUBBER PIN 4                            | 2   | PC.  |
| 45      |      |      | 419307-7 | FRONT COVER                             | 1   | PC.  |
| 46      |      |      | 265995-6 | TAPPING SCREW 4X18                      | 2   | PC.  |
| 100     |      |      | 654510-5 | INSULATED CONNECTOR 5.5-SD              | 2   | PC.  |
| E01     |      |      | 620122-6 | CONTROLLER (Added)                      | 1   | PC.  |

#### **ACCESSORIES**

- See catalogue or visit [www.makita.ca](http://www.makita.ca) for optional accessory -

|     |   |      |          |                             |   |     |
|-----|---|------|----------|-----------------------------|---|-----|
| A01 | 1 |      | 125112-9 | SHEAR HEAD ASS'Y W/O LABEL  | 1 | PC. |
|     |   | INC. |          | Item No. 3, 6, 8, A02 - A04 |   |     |
|     | 2 |      | 125849-8 | SHEAR HEAD ASS'Y W/LABEL    | 1 | PC. |
|     |   | INC. |          | Item No. 3, 6, 8, A02 - A04 |   |     |
|     |   | INC. | 808046-8 | INDICATION LABEL            | 1 | PC. |
| A02 |   |      | 792742-7 | SIDE BLADE R                | 1 | PC. |

| Item No | Type | Ref  | Part No  | Description               | Qty | Unit |
|---------|------|------|----------|---------------------------|-----|------|
| A03     |      |      | 792744-3 | CENTER BLADE              | 1   | PC.  |
| A04     |      |      | 792743-5 | SIDE BLADE L              | 1   | PC.  |
| A05     |      |      | 281220-7 | HOOK                      | 1   | PC.  |
| A06     |      |      | 783202-0 | HEX. WRENCH 4             | 1   | PC.  |
| A07     |      |      | 194205-3 | 18V LI-ION BATTERY BL1830 | 2   | PC.  |
| A08     |      |      | 450128-8 | BATTERY COVER             | 1   | PC.  |
| A09     | 1    |      | DC18RA   | CHARGER DC18RA            | 1   | PC.  |
|         | 2    |      | DC18RC   | CHARGER DC18RC            | 1   | PC.  |
| A10     | 1    |      | 824756-9 | PLASTIC CARRYING CASE     | 1   | PC.  |
|         |      | INC. | 417059-4 | LATCH                     | 2   | PC.  |
|         | 2    |      | 140392-6 | PLASTIC CARRYING CASE     | 1   | PC.  |
|         |      | INC. | 417059-4 | LATCH                     | 2   | PC.  |
| A11     |      |      | 194649-7 | BATTERY PROTECTOR         | 1   | PC.  |

**SERVICE CHANGES**

**1. Changes on Switch, Terminal and Housing Set (Battery Protection Circuit)**

(T/I#84038)

(T/I# 93030)

| Item No. | Description | Type 1   | Type 2   | Type 3   |
|----------|-------------|----------|----------|----------|
| 38       | Switch      |          | 650575-5 | 650670-1 |
| 39       | Terminal    | 643812-4 | 643843-3 | 643860-3 |
| 21       | Housing Set |          | 188540-9 | 187480-8 |
| E01      | Controller  | ---      | ---      | 620122-6 |

Above parts are completely interchangeable as a set.

**Service Note:**

- **Use Type 3 parts for repair of the model manufactured on or after December 2011 with using Yellow lead wire between Controller and Terminal.**
- Use Type 1-2 for repair of the model manufactured before December 2011 without using Yellow lead wire between Controller and Terminal.

**\*\* See Technical Information #93030 for Wiring Diagram Change**